

## Planetary Mixers

### Planetary Mixer, 5 lt - Electronic with Hub, White

ITEM # \_\_\_\_\_

MODEL # \_\_\_\_\_

NAME # \_\_\_\_\_

SIS # \_\_\_\_\_

AIA # \_\_\_\_\_



600190 (EMX5BWH)

\* NOT TRANSLATED \*

#### Main Features

- Small, compact planetary mixer designed to whisk and mix, providing also good kneading results.
- Maximum capacity (flour, with 60% of hydration) 0,75 kg.
- Tools shape and size perfectly adapt to the bowl for uniform mixing of even small quantities.
- Electronic speed variator.
- Removable safety screen activates the raising and lowering of the bowl.
- Delivered with:
  - Paddle, Semi-spiral Hook, Wire Whisk and Mixing Bowl for 5,5 lt
  - K type accessory drive hub (accessories are not included)
- Safety device will automatically stop the machine when the bowl is lowered.
- Bowl detection device allows the mixer to switch on only when the bowl and the solid safety screen are properly installed and positioned together.

#### Construction

- Compact design.
- Semi-spiral hook, paddle and wire whisk in stainless steel.
- 304 AISI stainless steel bowl with 2 handles - 5,5 lt capacity.
- Universal powerful motor with high start-up torque and overload protection.
- Variable speed from 40 to 240 rpm (planetary movement), to adjust to the selected tool and mixture hardness.
- Variable speed rotation of the tools from 84 rpm to 500 rpm.
- Power: 500 Watts.
- Transparent solid safety screen made of Eastman Tritan™ copolyester BPA free, impact resistant and stays clear and durable after several dishwashing cycle.  
Eastman&Tritan are trademarks for Eastman Chemical Company.
- Water protected planetary system (IP55 electrical controls, IP34 appliance overall).

#### Included Accessories

- 1 of - NOT TRANSLATED - PNC 653754
- 1 of - NOT TRANSLATED - PNC 653755
- 1 of Additional stainless steel paddle 5 lt PNC 653756
- 1 of Additional stainless steel whisk 5 lt PNC 653757

#### Optional Accessories

- 60 mm meatmincer for attachment type K (12 mm square hub) and 1 disc PNC 653043
- 3 discs (3-4,5-8 mm) for meatmincer PNC 653044
- - NOT TRANSLATED - PNC 653296

APPROVAL: \_\_\_\_\_



**Electrolux**  
PROFESSIONAL

## Planetary Mixers Planetary Mixer, 5 lt - Electronic with Hub, White

- - NOT TRANSLATED - PNC 653298
- - NOT TRANSLATED - PNC 653300
- - NOT TRANSLATED - PNC 653754
- - NOT TRANSLATED - PNC 653755
- Additional stainless steel paddle 5 lt PNC 653756
- Additional stainless steel whisk 5 lt PNC 653757

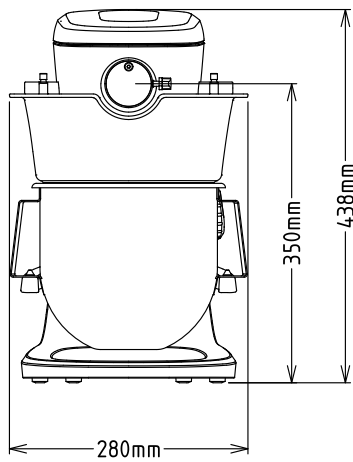


Planetary Mixers  
Planetary Mixer, 5 lt - Electronic with Hub, White

The company reserves the right to make modifications to the products without prior notice. All information correct at time of printing.

2026.04.21

Front


**Electric**

Supply voltage: 200-240 V/1N ph/50/60 Hz  
 Total Watts: 0.5 kW

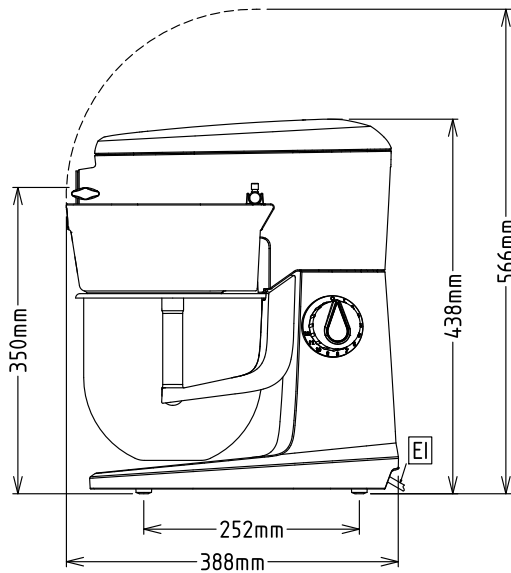
**Capacity:**

Performance (up to): 0.75 kg/Cycle  
 Capacity: 5.5 litres

**Key Information:**

External dimensions, Width: 280 mm  
 External dimensions, Depth: 388 mm  
 External dimensions, Height: 438 mm  
 Shipping weight: 15 kg  
 Net weight (kg): 11  
 Cold water paste: 0.75 kg with Semi spiral hook  
 Egg whites: 12 with Whisk

Side



EI = Electrical inlet (power)

Top

